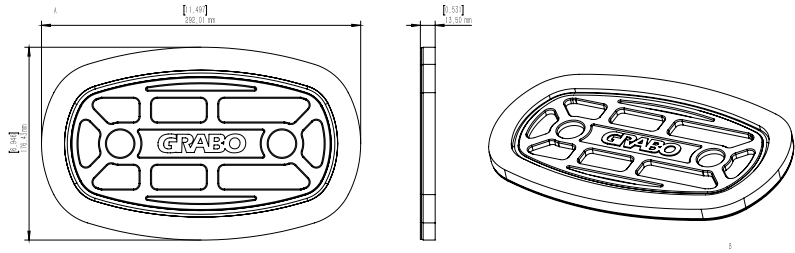


## BRACE SEAL HEAVY LIFTING MADE EASY



### Specifications:

Black foam seal	
Material	SBR rubber foam sponge
Color	Black
L x W x H	11.5 x 6.9 x 0.53" ( 292.5 x 175.5 x 13.5 mm)
Working temperature	32°F~140°F( 0°C~60 °C )
Density	10.6 Lb/cft (170 kg/m <sup>3</sup> )
Hardness, Shore C	~10 +/-2
Tearing Pressure	1800 Psi (126 kg/cm <sup>2</sup> )
Compression to 25% size at	8.5 Psi (6000 kg/m <sup>2</sup> )
Lifetime (Compressions till performance reduction).	~900
Water Absorption, %	<=5
Shrinkage at 160F (70C) for 24 hrs, %	<=20
Recommended Storage Temperature	Room temperature
Applicable Surface Type	Smooth thin material ( ≤4mm)
Red brace	
Material	Silicon
Color	Red
Density	40.5 Lb/cft (650 kg/m <sup>3</sup> )
Hardness, Shore C	55 +/-5
Water Absorption, %	<=4
Recommended Storage Temperature	Room temperature

### Lifting Capacity:

Material \ Direction	Glass	Metal	Wood	Rough Concrete
Perpendicular Hold 	375Lbs ( 170 kg )	308Lbs ( 140 kg )	220Lbs ( 100 kg )	176Lbs ( 80 kg )
Parallel Hold 	265Lbs ( 120 kg )	198Lbs ( 90 kg )	143Lbs ( 65 kg )	176Lbs ( 80 kg )

The brace seal is a replacement seal for GRABO specifically designed for thin materials such as glass thinner than 6mm. We recommend not using Brace Seal on surfaces such as rough slate/concrete due to its thin foam profile.

**By Nemo Power Tools -**  
**www.GRABO.com**

#### GRABO headquarters:

Eastern Commerce Center  
6000 S Eastern Ave  
Unit 9E  
Las Vegas, Nevada, 89119

Info@GRABO.com

www.GRABO.com

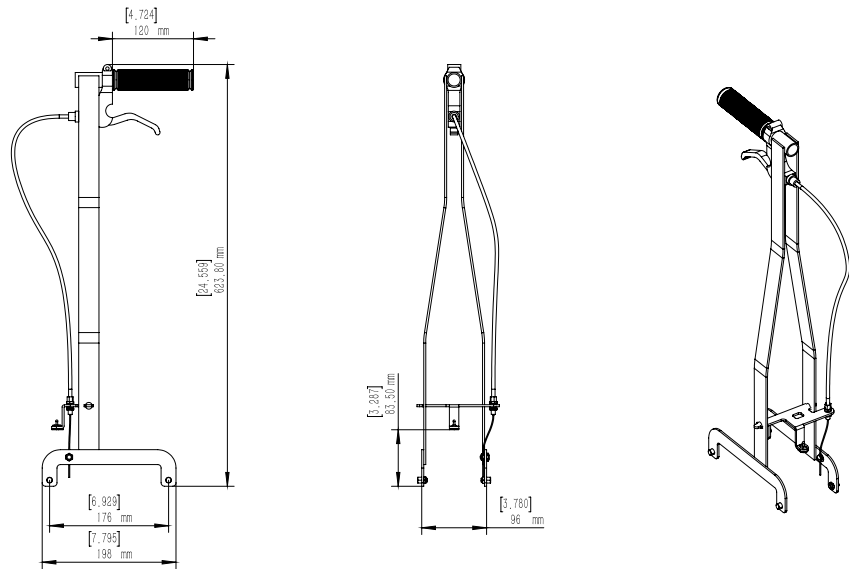
#### Main Office:

+1 (844) 430-0510

#### Help & Warranty:

+1 (702) 718-2433

## ERGUO S1 HEAVY LIFTING MADE EASY



### Specifications:

L x W x H	24.5 x 8 x 4.5" (620 x 200 x 113 mm)
Weight	2 Lbs (~0.75 kg)
Material	10.1 Kg (22 lbs)
Color	Black Anodize
Max. Lifting Weight	265 Lbs
Features	Remote ON-OFF Lever

#### GRABO headquarters:

Eastern Commerce Center  
6000 S Eastern Ave  
Unit 9E  
Las Vegas, Nevada, 89119

Info@GRABO.com

www.GRABO.com

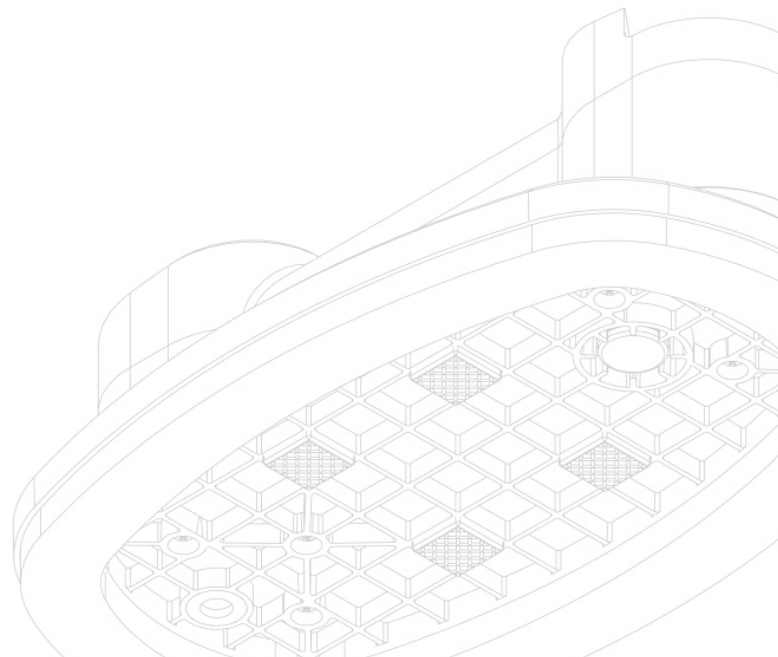
#### Main Office:

+1 (844) 430-0510

#### Help & Warranty:

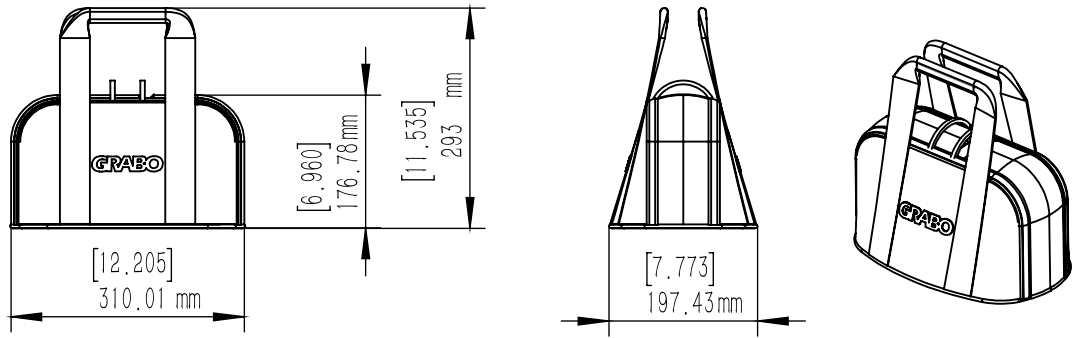
+1 (702) 718-2433

By Nemo Power Tools -  
[www.GRABO.com](http://www.GRABO.com)



# GRABO

## FABRIC BAG HEAVY LIFTING MADE EASY



### Specifications:

L x W x H	12.5 x 8 x 6.5" (315 x 200 x 165 mm)
Weight	1 Lbs (~0.4 kg)
Material	Polymer Oxford Fabric, 3 plies, 0.1" (3 mm) thick
Color	Black
Waterproof Level	IP4 – waterproof against direct splashes and mild rain
Features	Quick close / open double-sided zipper 2 inner compartments Hard bottom

#### GRABO headquarters:

Eastern Commerce Center  
6000 S Eastern Ave  
Unit 9E  
Las Vegas, Nevada, 89119

Info@GRABO.com

www.GRABO.com

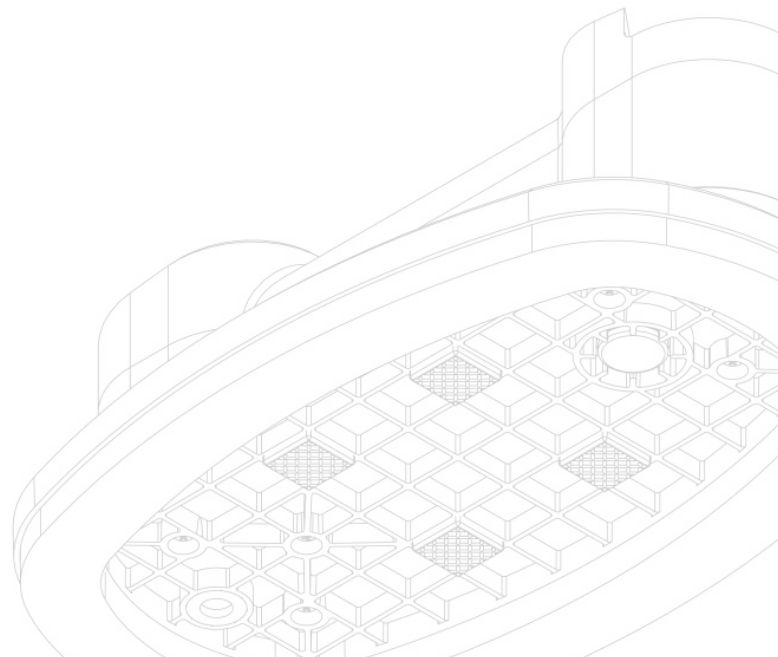
#### Main Office:

+1 (844) 430-0510

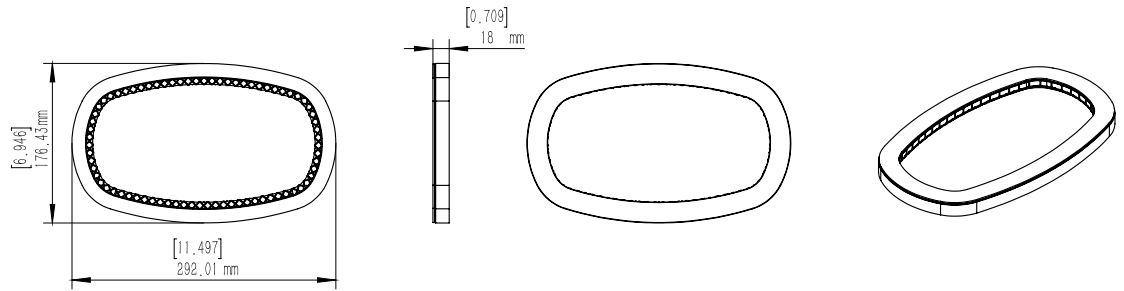
#### Help & Warranty:

+1 (702) 718-2433

By Nemo Power Tools -  
[www.GRABO.com](http://www.GRABO.com)



## FOAM-RUBBER SEAL HEAVY LIFTING MADE EASY



### Specifications:

Black foam seal	
Material	SBR rubber foam sponge
Color	Black
L x W x H	11.5 x 6.9 x 0.7" (293 x 175 x 19 mm)
Density	10.6 Lb/cft (170 kg/m <sup>3</sup> )
Hardness, Shore C	~10 +/-2
Tearing Pressure	1800 Psi (126 kg/cm <sup>2</sup> )
Compression to 25% size at	8.5 Psi (6000 kg/m <sup>2</sup> )
Water Absorption, %	<=5
Shrinkage at 160F (70C) for 24 hrs, %	<=20
Recommended Storage Temperature	Room temperature
Red seal	
Material	Silicon Foam
Color	Red
Density	40.5 Lb/cft (650 kg/m <sup>3</sup> )
Hardness, Shore C	55 +/-5
Water Absorption, %	<=4
Recommended Storage Temperature	Room temperature

### Lifting Capacity:

Material	Glass	Ceramic Tiles	Metal	Plastic	Wood	Rough Slate	Rough Concrete	Dry Wall
Direction								
Perpendicular Hold	375Lbs (170 kg)	375Lbs (170 kg)	242Lbs (110 kg)	220Lbs (100 kg)	220Lbs (100 kg)	176Lbs (80 kg)	176Lbs (80 kg)	165Lbs (75 kg)
Parallel Hold	265Lbs (120 kg)	265Lbs (120 kg)	242Lbs (110 kg)	220Lbs (100 kg)	143Lbs (65 kg)	176Lbs (80 kg)	176Lbs (80 kg)	143Lbs (65 kg)

#### GRABO headquarters:

Eastern Commerce Center  
6000 S Eastern Ave  
Unit 9E  
Las Vegas, Nevada, 89119

Info@GRABO.com

www.GRABO.com

#### Main Office:

+1 (844) 430-0510

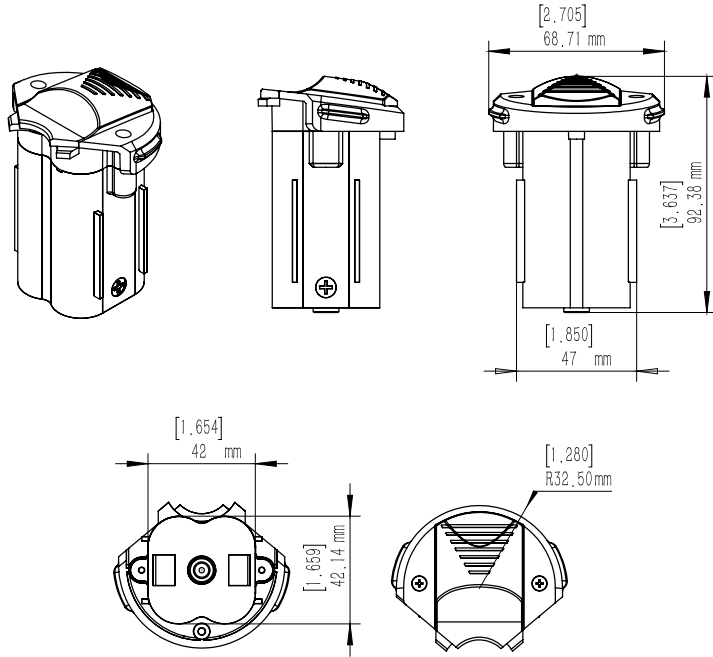
#### Help & Warranty:

+1 (702) 718-2433

By Nemo Power Tools -  
[www.GRABO.com](http://www.GRABO.com)



## EXTRA HIGH CAPACITY BATTERY HEAVY LIFTING MADE EASY



### Specifications:

Type	Li-ion 2600 mAh / 14.8 V (4x cells 3.7 V)
L x W x H	3.5 x 2.8 x 2.2" (90 x 70 x 55 mm)
Weight	0.7 Lbs (0.28 kg)
Rated Capacity	2.6 Ah
Nominal Voltage	14.8 V
Charge Voltage	16.8 V
Charge Current	520 mA
Operating Temperature	32 – 115 F (0 – 45 C) Charge / -4 – 140 F (-20 – 60 C) Discharge
Storage Temperature	-40 – 257 F (-40 – 125 C)
Overcharge Protection	4.25V
Features	Overcharge / Over Discharge / Over current protection. Fits all Grabo models
Long Term Storage	For storage over 3 month store in dry and cool place at 40 – 70 F (~5 – 20 C) charged to 14.4 – 15.6 V (80 – 90% of full charge)

#### GRABO headquarters:

Eastern Commerce Center  
6000 S Eastern Ave  
Unit 9E  
Las Vegas, Nevada, 89119

Info@GRABO.com

www.GRABO.com

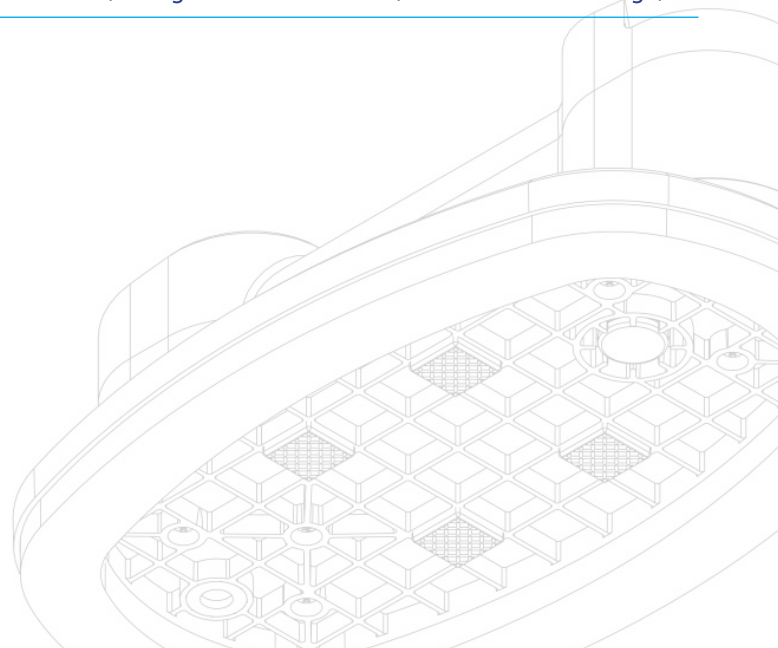
#### Main Office:

+1 (844) 430-0510

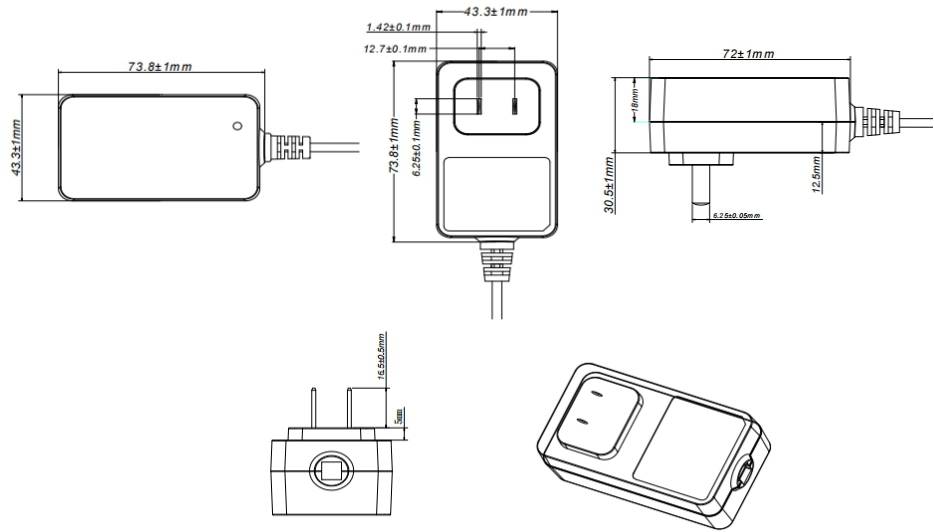
#### Help & Warranty:

+1 (702) 718-2433

By Nemo Power Tools -  
[www.GRABO.com](http://www.GRABO.com)



## MULTI SOCKET CHARGER HEAVY LIFTING MADE EASY



### Specifications:

Type	AC/DC Converter
Input Voltage, VAC	100   110   240
Input Frequency, Hz	47   50/60   63
Input Current, A	0.5 A max (@200-240 VAC)
Output Voltage, VDC	16.8V rated, 8-12V under load
Output Current, A	200-400 mA under load, 1.4 A max
Rated Power	23.52 W
L x W x H	3.8 x 1.8 x 1.2" (95 x 46 x 30 mm)
Wall Socket Connectors	US / EU / UK multi socket head (fits all power grids)
Operating Temperature	32 – 105 F (0 – 40 C)
Storage Temperature	-4 – 185 F (-20 – 85 C)
Working Conditions	Indoor use only. Not waterproof (IP0)

#### GRABO headquarters:

Eastern Commerce Center  
6000 S Eastern Ave  
Unit 9E  
Las Vegas, Nevada, 89119

Info@GRABO.com

www.GRABO.com

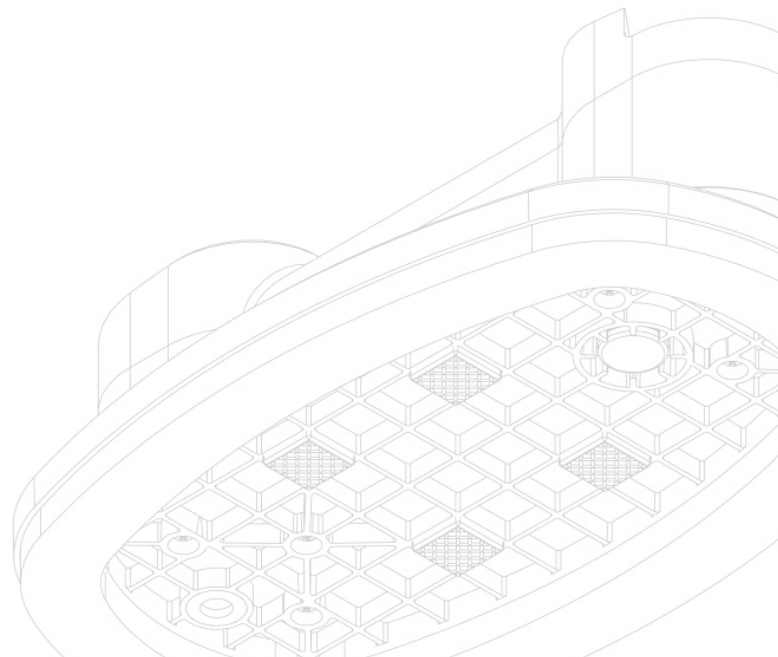
#### Main Office:

+1 (844) 430-0510

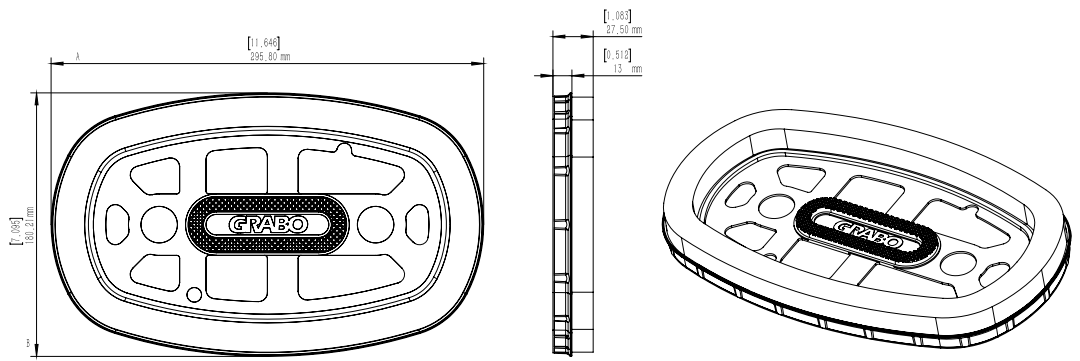
#### Help & Warranty:

+1 (702) 718-2433

By Nemo Power Tools -  
[www.GRABO.com](http://www.GRABO.com)



## ROCK SEAL HEAVY LIFTING MADE EASY



### Specifications:

Material	Laminated SBR rubber foam sponge
Color	Black
L x W x H	11.5 x 6.9 x 1.12" ( 293 x 175 x 28.5 mm)
Weight	0.6 Lbs ( 0.23 kg )
Working temperature	32 F ~ 140 F (0 C ~ 60 C)
Recommended Storage Temperature	Room temperature
Applicable Surface Type	Peak/valley heights less than 0.4" (10 mm)
Features	Patented technology design

### Lifting Capacity:

Material	Glass	Metal	Wood	Rough Slate	Rough Concrete
Direction					
Perpendicular Hold 	375Lbs ( 170 kg )	308Lbs ( 140 kg )	220Lbs ( 100 kg )	176Lbs ( 80 kg )	176Lbs ( 80 kg )
Parallel Hold 	265Lbs ( 120 kg )	198Lbs ( 90 kg )	143Lbs ( 65 kg )	176Lbs ( 80 kg )	176Lbs ( 80 kg )

#### GRABO headquarters:

Eastern Commerce Center  
6000 S Eastern Ave  
Unit 9E  
Las Vegas, Nevada, 89119

Info@GRABO.com

www.GRABO.com

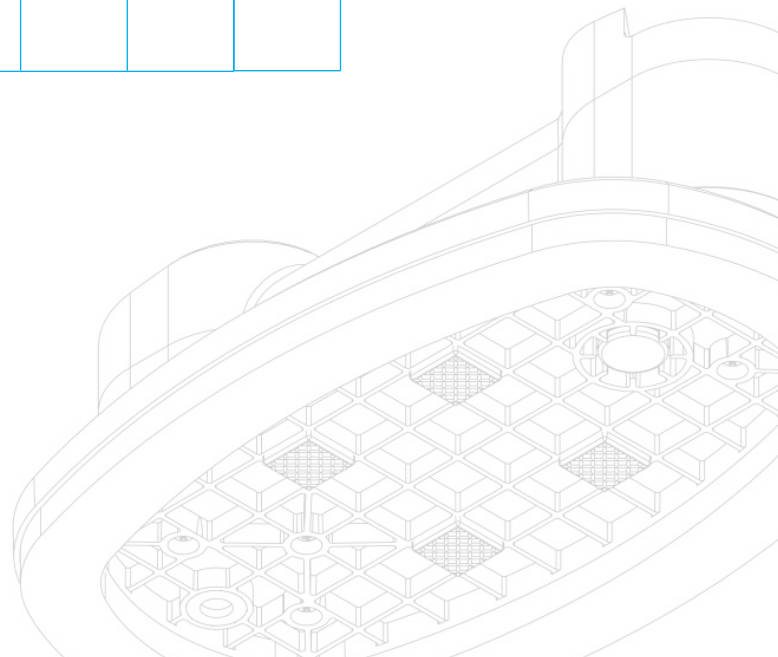
#### Main Office:

+1 (844) 430-0510

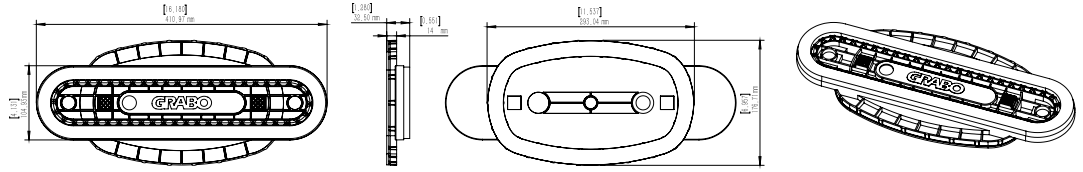
#### Help & Warranty:

+1 (702) 718-2433

By Nemo Power Tools -  
[www.GRABO.com](http://www.GRABO.com)



## SLENDER SEAL HEAVY LIFTING MADE EASY



### Specifications:

Black foam seal	
Material	SBR rubber foam sponge
Color	Black
L x W x H	16.2 x 6.9 x 1.24" (411 x 175 x 31.5 mm)
Dimensions of seal	371 x 65 mm
Density	10.6 Lb/cft (170 kg/m <sup>3</sup> )
Hardness, Shore C	~10 +/-2
Tearing Pressure	1800 Psi (126 kg/cm <sup>2</sup> )
Compression to 25% size at	8.5 Psi (6000 kg/m <sup>2</sup> )
Lifetime (Compressions till performance reduction).	~900
Water Absorption, %	<=5
Shrinkage at 160F (70C) for 24 hrs, %	<=20
Recommended Storage Temperature	Room temperature
Red seal	
Material	Silicon Foam
Color	Red
Density	40.5 Lb/cft (650 kg/m <sup>3</sup> )
Hardness, Shore C	55 +/-5
Water Absorption, %	<=4
Recommended Storage Temperature	Room temperature
Full seal	
Features	Combined seal on plastic frame Slender profile

### Lifting Capacity:

Material \ Direction	Perpendicular Hold Z		Parallel Hold X		Parallel Hold Y	
	Maximum value	Safe value 50%	Maximum value	Safe value 50%	Maximum value	Safe value 50%
Glass	225 Lbs (100 kg)	110 Lbs (50 kg)	110 Lbs (50 kg)	55 Lbs (25 kg)	220 Lbs (100 kg)	110 Lbs (50 kg)
Metal	145 Lbs (66 kg)	72.5 Lbs (33 kg)	110 Lbs (50 kg)	55 Lbs (25 kg)	220 Lbs (100 kg)	110 Lbs (50 kg)
Wood	132 Lbs (60 kg)	66 Lbs (30 kg)	66 Lbs (30 kg)	33 Lbs (15 kg)	176 Lbs (80 kg)	88 Lbs (40 kg)
Rough Concrete	105 Lbs (48 kg)	52.5 Lbs (24 kg)	110 Lbs (50 kg)	33 Lbs (15 kg)	220 Lbs (100 kg)	110 Lbs (50 kg)

**GRABO headquarters:**  
Eastern Commerce Center  
6000 S Eastern Ave  
Unit 9E  
Las Vegas, Nevada, 89119

Info@GRABO.com  
www.GRABO.com

**Main Office:**  
+1 (844) 430-0510  
**Help & Warranty:**  
+1 (702) 718-2433

By Nemo Power Tools -  
[www.GRABO.com](http://www.GRABO.com)